



XH-JRL1L2-130-anti-jamming-receiver is an 8 element antenna array satellite navigation anti-jamming terminal, there are 4 B1L1 antennas and 4L2 or L5 antennas. The product supports BDS B1, GPS L1, L2/L5, and GALILEO E1 satellite signals, and also has the ability to resist blanket jamming. Effectively protecting terminals from malicious or unintentional electromagnetic jamming and electronic deception,

it can provide stable navigation and positioning services for the system in strong interference environments. The product can be applied to industry platforms such as small and medium-sized drones and unmanned vehicles.

Product Function

- Supporting satellite signals include BDS-B1 frequency, GPS-L1, L2/L5 frequency, and GALILEO E1 frequency
- Equipped with anti-jamming functions for BDS-B1 frequency point, GPS-L1, L2/L5 frequency point, and GALILEO E1 frequency point
- The types of interference that can be suppressed include narrowband, broadband, pulse, sweep frequency, and combined interference
- Can provide jamming suppression in 3 directions for multiple frequency points;
- Support built-in navigation receiver (customized)

Typical Application Occasions

- Power, communications, finance and other fields of time security
- Unmanned aerial vehicle, vehicles, ships and other navigation safety
- Convoy defense and navigation security
- High-end logistics and navigation security



XH-JRL1L2-130抗干扰天线是一款八单元天线阵列卫星导航抗干扰终端设备，包含4个B1L1天线和4个L2/L5天线。该产品支持北斗B1、GPS L1/L2/L5及伽利略E1卫星信号，具备全面抗干扰能力，能有效防护终端设备免受恶意或非故意电磁干扰及电子欺骗攻击，在强干扰环境下可为系统提供稳定导航定位服务。该产品适用于中小型无人机、无人飞行器等工业平台场景。

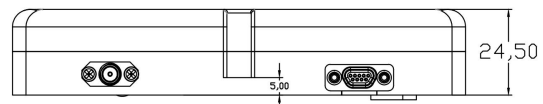
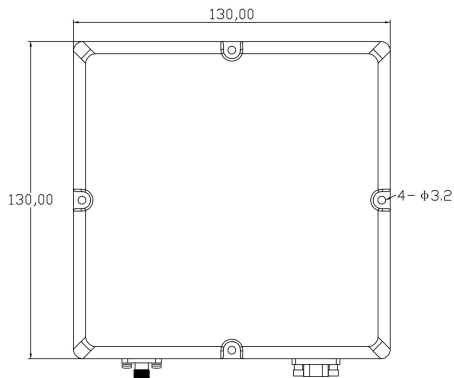
Product Function

- 支持的卫星信号包括BDS-B1频段、GPS-L1频段、L2/L5频段以及伽利略E1频段。
- 配备针对BDS-B1频率点、GPS-L1、L2/L5频率点及伽利略E1频率点的抗干扰功能
- 可被抑制的干扰类型包括窄带干扰、宽带干扰、脉冲干扰、扫频干扰及复合干扰。
- 可为多个频率点提供三向干扰抑制功能；
- 支持内置导航接收器（可定制）

Typical Application Occasions

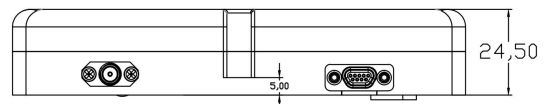
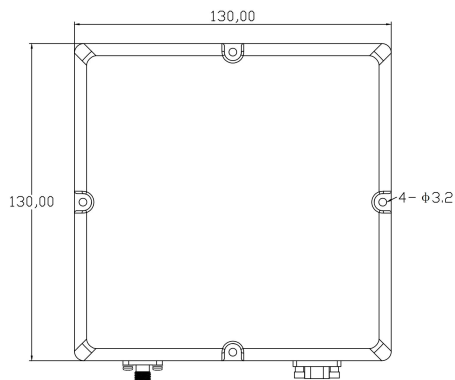
- 电力、通信、金融等领域的时序安全
- 无人飞行器、车辆、船舶及其他航行安全
- 护航防御与航行安全
- 高端物流与导航安全

Structural Elements



ITEM		
Frequency Range	BDS B1	1561.098MHz ± 2.046MHz
	GPS L1/GAL E1	1575.42MHz ± 1.023MHz
	GPS L2	1227.6MHz ± 1.023MHz/10.23
	GPS L5	1176.45 ± 10.23MHz
Power Characteristics	Supply Voltage	9V ~ 36V
	Power Consumption	≤ 15W
Physical Property	Size	130mm×130mm×24.5mm(±0.5mm)
	Weight	≤ 500g
	Colour	Gray(customizable)
	Operating Temperature	-45°C~+75°C
	Storage Temperature	-50°C~+85°C
Anti-jamming Ability	Anti-jamming Quantity	≤ 3
	Single-directional Jammer	B1L1E1 ≥ 110dB
		L2/L5 ≥ 90dB
	Three-directional Jammer	B1L1E1 ≥ 100dB
L2/L5 ≥ 80dB		
Deception Jammer	Customizable	
Receiver Parameters	Positioning Accuracy	≤ 10m
	Positioning Accuracy	≤ 0.2m/s

Structural Elements



物品		
频率范围	BDS B1	1561.098兆赫 ± 2.046兆赫
	GPS L1/GAL E1	1575.42兆赫 ± 1.023兆赫 1227.6兆赫 ± 1.023兆赫/10.23
	GPS L2	
	GPS L5	1176.45 ± 10.23兆赫
功率特性	电源电压功率消耗	9V ~ 36V
		15W
	尺寸	130mm×130mm×24.5mm(±0.5mm)
物理性质	权重	≤ 500g
	颜色	灰色 (可定制)
	操作温度 储存温度	-45°C~+75°C
		-50°C~+85°C
抗干扰Ability	抗干扰量	≤ 3
	单向干扰器	B1L1E1 ≥ 110dB
		L2/L5 ≥ 90dB
	三向干扰器	B1L1E1 ≥ 100dB
	欺骗性干扰器	L2/L5 ≥ 80dB 可定制
接收机参数S	定位精度	≤ 10m
	定位精度	≤ 0.2m/s

Interface Definition

Power Supply	1, 4	+9V ~+36V(Recommended 12V)
	5, 6	GND
Receiver Serial Port	2	RS232_RX
	3	RS232_TX
	7	DGND for serial port
Anti-Jamming	8	RS232_RX
Serial Port	9	RS232_TX

电源

1, 45

+9V 至 +36V (推荐使用 12V)

, 6

GND

接收机串行端口

抗干扰
串行端口

89

RS232_RX

RS232_TX

